

# Single Row Housed Grid Easy Clean Magnet

High Intensity – Rare Earth

Datasheet No. 510



Eclipse Magnetics high intensity magnetic Easy Clean Housed Grids offer unsurpassed levels of contamination removal, removing sub-micron ferrous and para-magnetic contamination from the most demanding and arduous of process environments.

The unit contains one high intensity Easy Clean Magnetic Grid. The grid is secured into the housing by tri-cone locking nuts which ensure even pressure is generated around the food grade seal.

Units can be supplied with quick release toggle clamps if cleaning time is to be kept to a minimum. Alternatively, consider the Auto-Shuttle unit, which requires no intervention. For those applications where ultimate levels of removal are required, a double row system is available (datasheet 511).

It is common to have numerous units installed throughout a processing facility to ensure contamination is removed at source of generation.

All dry powders and granular type materials can be processed through the unit. Electrical safety interlocks can be fitted to the grid to stop the process should it be accidentally opened.

## Cleaning

This unit uses the Eclipse Magnetics 'Easy Clean' system. This design allows all attracted contamination to be easily and quickly collected for further inspection or analysis.

When the unit requires cleaning, simply remove the outer grid securing tri-cone locking nuts and remove the grid from the housing. Remove the central tri-cone locking nut and separate the grid assembly allowing all attracted contamination to simply fall away.

## Suitable Products

Dry powders and granulates.

## Suitable Locations

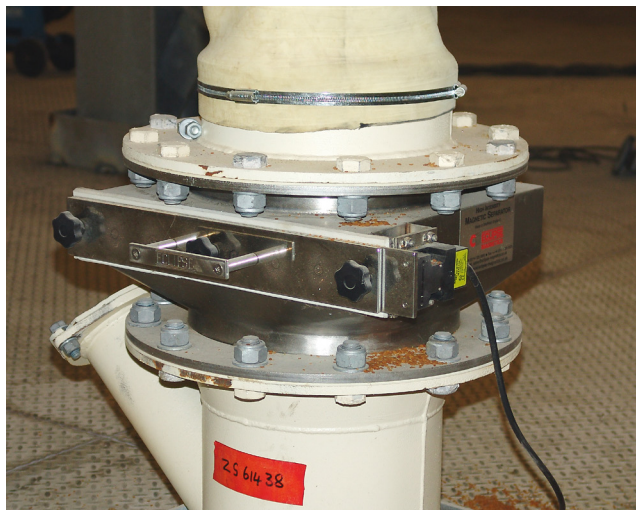
Inlet / outlet points, pre- / post-silo and machinery points.

## Benefits

- Easy to clean
- High collection capacity
- Reduces 'spark' risk
- Removes sub-micron sized contamination
- Meet audit requirements
- Rare earth 7,000, 9,000 Gauss

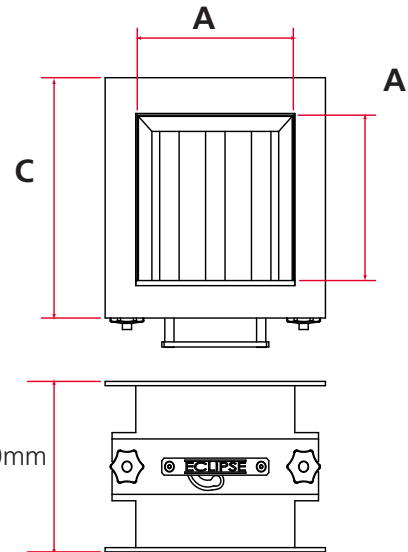
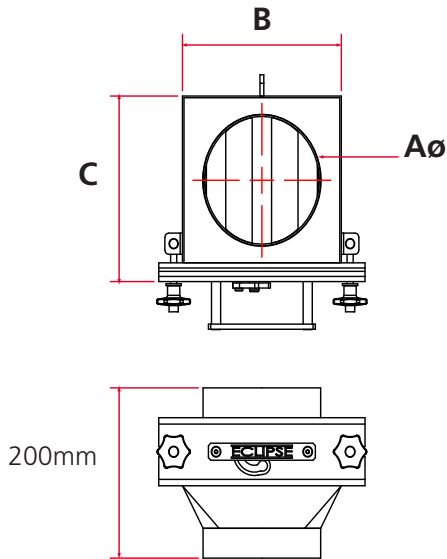
## Category

Secondary protection - fines.



# Technical Data

Round



## Product Information

Part Number	ØA mm	B mm	C mm	No. of Rods	Weight kg
<b>Round</b>					
ECHS100	100	158	168	2	7
ECHS150	150	208	218	3	9
ECHS200	200	258	268	4	11
ECHS250	250	308	318	5	23
ECHS300	300	358	368	6	27
ECHS350	350	408	418	7	32
ECHS400	400	460	470	8	41
<b>Square</b>					
ECHS1010	100	100	180	2	6
ECHS1515	150	150	230	2	8
ECHS2020	200	200	280	3	9
ECHS2525	250	250	330	4	16
ECHS3030	300	300	380	5	20
ECHS3535	350	350	430	6	25
ECHS4040	400	400	480	7	29

## Performance

### Magnetic performance

\*7,000 Gauss - standard strength  
9,000 Gauss - high strength

### Performance reading

On tube surface

### Magnetic material

Rare earth neodymium iron boron

### Magnet grade

N45 – Inspected and confirmed via hystero-graph prior to use

### Temperature

-20°C / +90°C

### Pressure

+ / - 0.2 Bar

## Materials

### Housing

316 grade stainless steel

### Other Parts

316 grade stainless steel

### Surface finish

Brushed internally / externally to 1.2µm

### Sealing

Self adhered white foam

### Tri-cone Nuts

Brass and moulded plastic

## Options

- Stainless steel toggle clamps
- Overpressure to + / - 10 Bar
- 500mm (Special sizes on request)
- 304 grade stainless steel
- Pharmaceutical specification
- ATEX certified
- Flanged to suit
- Safety relay switches
- Metal detectable silicon rubber seal – dark blue, FDA approved
- Grid support track system
- High temperature samarium cobalt magnetic material, +250°C

\*7,000 Gauss should be selected for bread flour applications to allow for permissible iron oxide

If you have any more questions, require technical assistance or would like a quotation, please contact us.

[www.eclipsemagnetics.com](http://www.eclipsemagnetics.com)

Eclipse Magnetics Ltd, Atlas Way, Sheffield, S4 7QQ, England

T +44 (0)114 225 0600 F +44 (0)114 225 0610 E info@eclipsemagnetics.com W www.eclipsemagnetics.com

While every effort has been made to ensure the accuracy of the information in this publication please note that specifications may change without notice.

